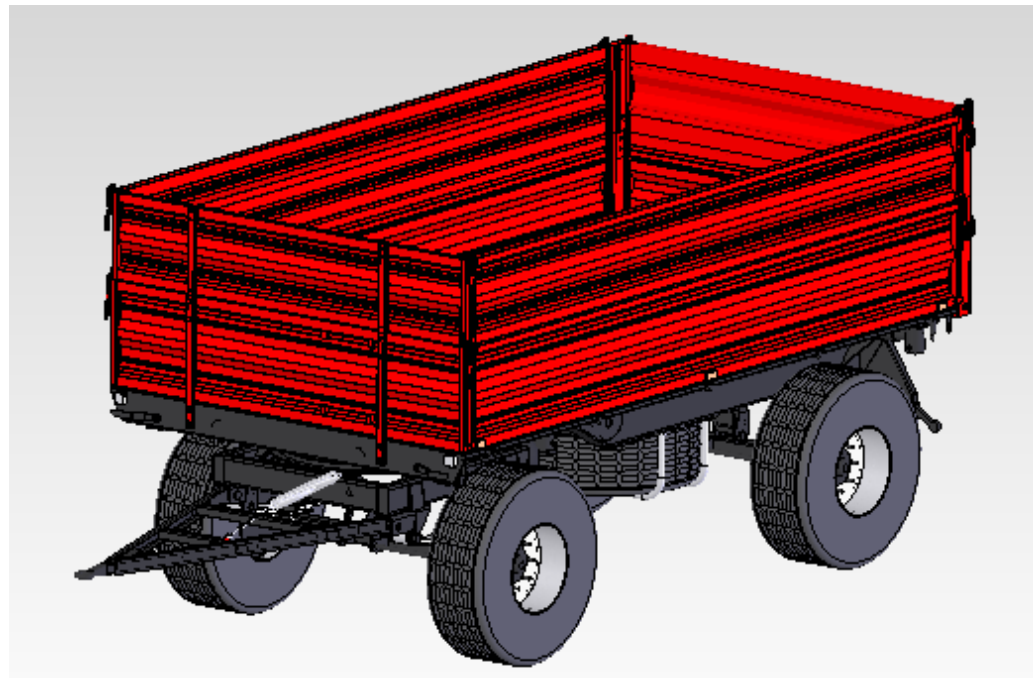


SPARE PARTS CATALOGUE

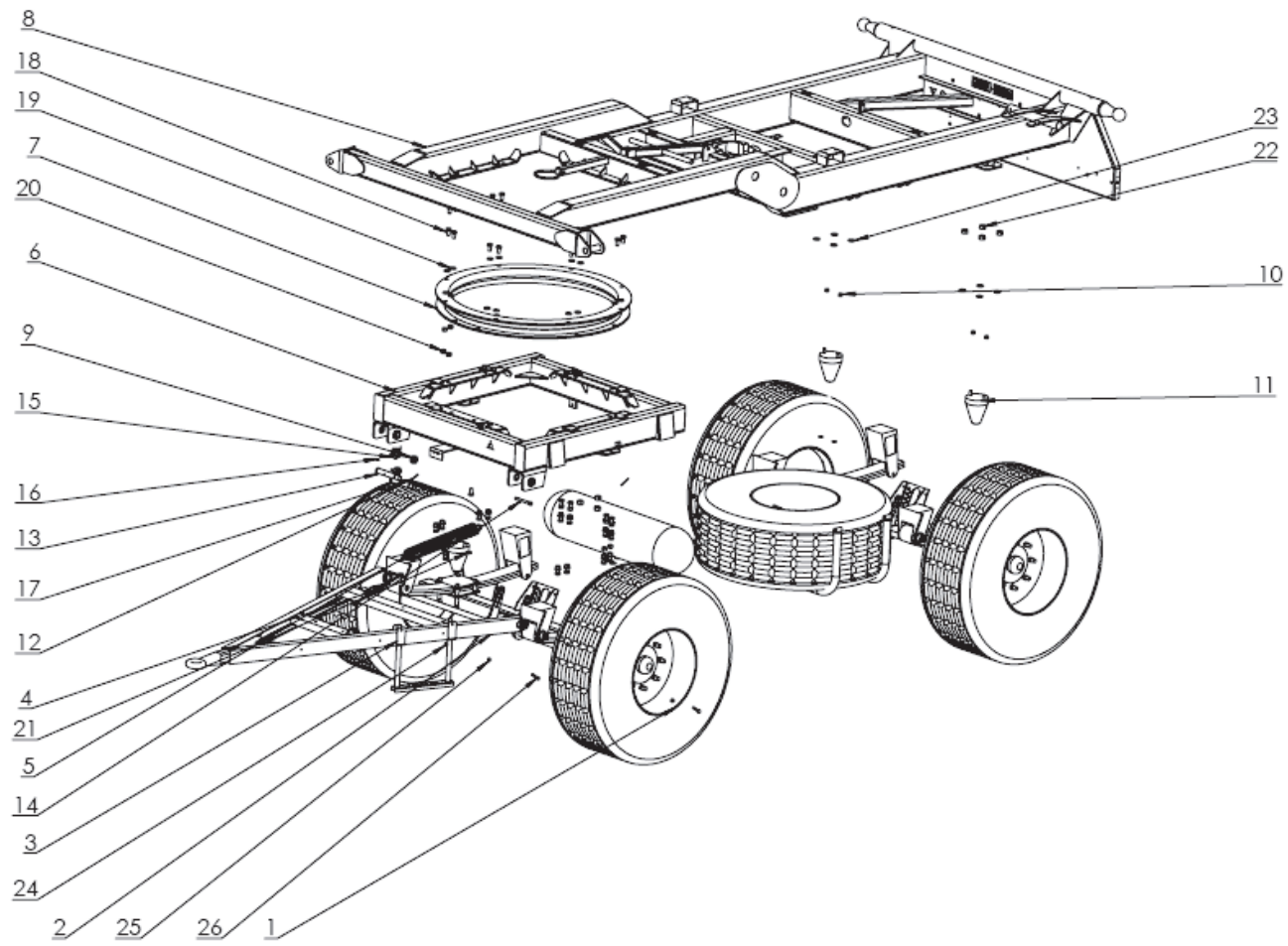


Edition no. 2
Year of issue: 2011

Parts catalogue: T711 farming trailer

LOWER FRAME			
No. in dwg	Name of assembly or part	Drawing No. or standard	Quantity
1	Brake equipped axle	List pp. 17-18	2
2	Drawbar, complete	T710-1 13.00.00	1
3	Ladder, complete	T710-1 07.00.00	1
4	Bottle screw	POD-ELZ-000076	1
5	Tow bar spring	POD-SPR-000004-1	1
6	Truck, complete	T711-1 01.01.00	1
7	Turntable	POD-WPS-000066	1
8	Top frame	T711-1 03.01.00	1
9	Crown nut, M24x1.5	POD-ELZ-000396	8
10	Nut, M12	23NS12OC	10
11	Rubber fender	POD-TSZ-000006-1	4
12	Suspension spring pin	T711-1 00.00.01	4
13	Hitch pin	T710-1 03.03.02.1	2
14	Suspension spring locking pin, M12	POD-ELZ-000407	4
15	Washer, M24	23P24SPOC	6
16	Grease nipple, M6	23SM	6
17	Cotter pin, 4x50	23Z4/50	18
18	Bolt, M16	23S16/100OC 8.8	16
19	Washer, M16	23P16OOC	16
20	Nut, M16	23NS16OC	16
21	Washer, M12	23P12OC	8
22	Nut, M20	23NS20OC 82175	16
23	Washer, M20	23P20SP	16
24	Washer, M10	23P10 82005	2
25	Nut, M10	23NS10OC	2

LOWER FRAME			
No. in dwg	Name of assembly or part	Drawing No. or standard	Quantity
26	Bolt, M10	23S10OC	2

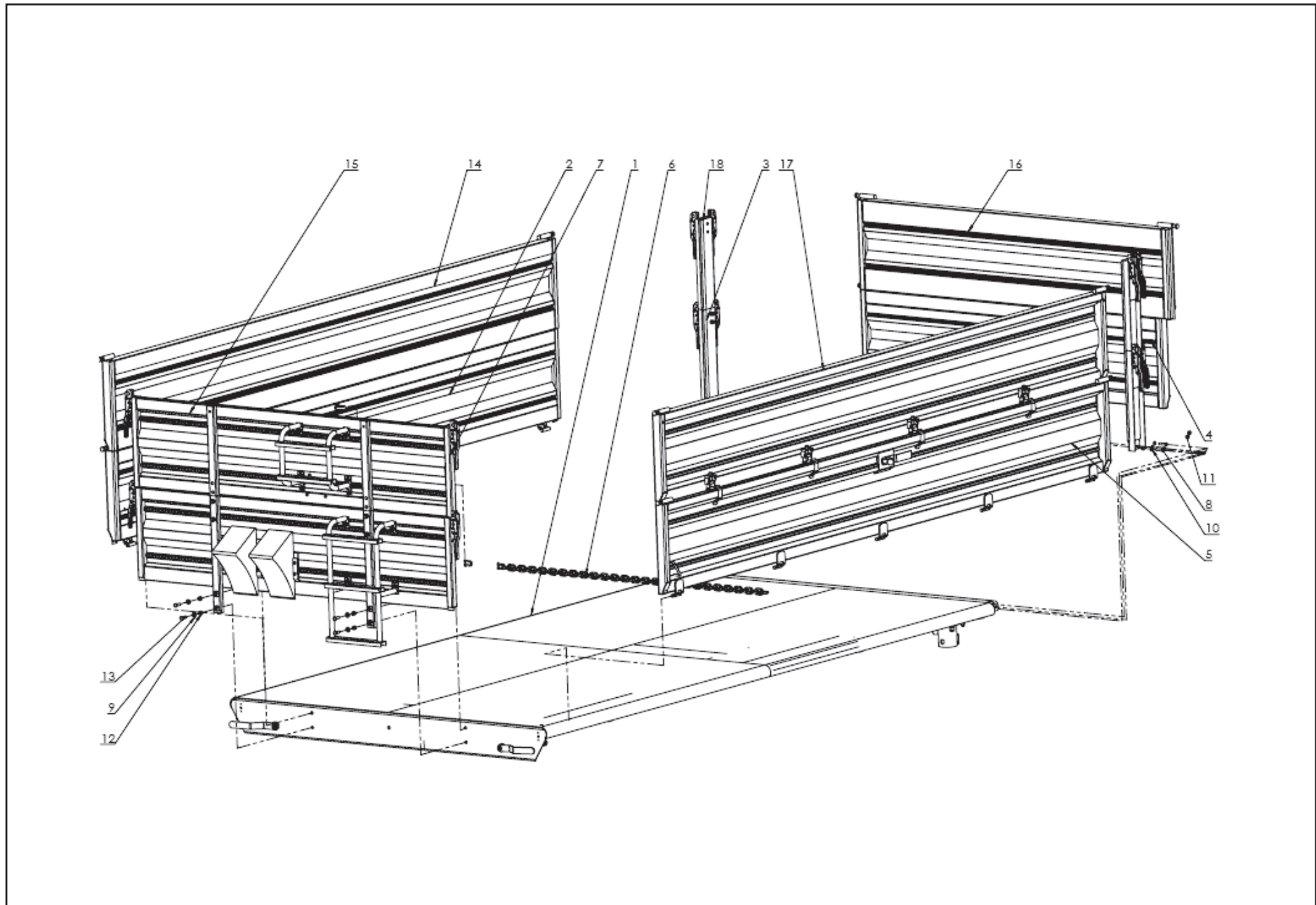


TOP FRAME			
No. in dwg	Name of assembly or part	Drawing No. or standard	Quantity
1	Top frame	T711-1 03.01.00	1
2	Right wall	T711-1 03.03.00 (T711-2 03.03.00)*	1
3	Right hand rear post	T711-1 03.04.00 (T711-2 03.04.00)*	1
4	Rear wall	T711-1 03.06.00 (T711-2 03.06.00)*	1
5	Left wall	T711-1 03.07.00 (T711-2 03.07.00)*	1
6	Coupling chain, complete	25LS	1
7	Front wall	T711-1 03.02.00 (T711-2 03.02.00)	1
8	Bolt, M10x45 8-8-B	23S12/45OC 8.8	6
9	Plain washer, 12	23P12OC	4
10	Plain washer, 10	23P10OC	6
11	Nut, M10	23NS10OC	6
12	Nut, M12	23NS12OC	4
13	Bolt, M12x35 8-8-B	23S12/35OC 8.8	4
14	Right top section wall	T711-2 03.11.00**(T711-3 03.11.00)***	1
15	Front top section wall	T711-2 03.08.00**(T711-3 03.08.00)***	1
16	Rear top section wall	T711-2 03.09.00**(T711-3 03.09.00)***	1
17	Left top section wall	T711-2 03.10.00**(T711-3 03.10.00)***	1
18	Right/left hand top support post	T711-1 03.12.00(T711-2 03.12.00)* / T711-1 03.13.00 (T711-2 03.13.00)*	1/1

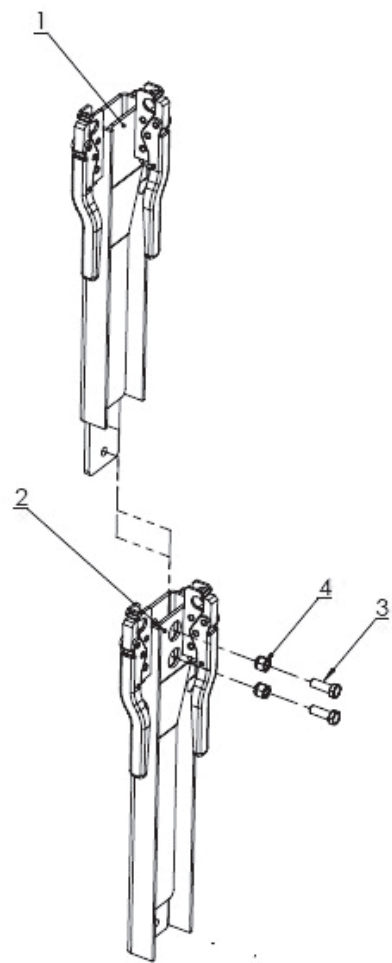
* On models T711-2 and T711-3

** On models T711-1 and T711-2

*** On model T711-3



RIGHT/LEFT HAND REAR POST			
No. in dwg	Name of assembly or part	Drawing No. or standard	Quantity
1	Right/left hand top support post	T711-1 03.12.00(T711-2 03.12.00)(T711-3 03.12.00)/T711-1 03.13.00(T711-2 03.13.00)(T711-3 03.13.00)	1/1
2	Right/left hand post	T711-1 03.04.00(T711-2 03.04.00)(T711-3 03.04.00)/T711-1 03.05.00(T711-2 03.05.00)(T711-3 03.05.00)	1/1
3	Bolt, M12x35 8-8-B	23S12/35OC 8.8	2
4	Nut, M12	23NS12OC	2

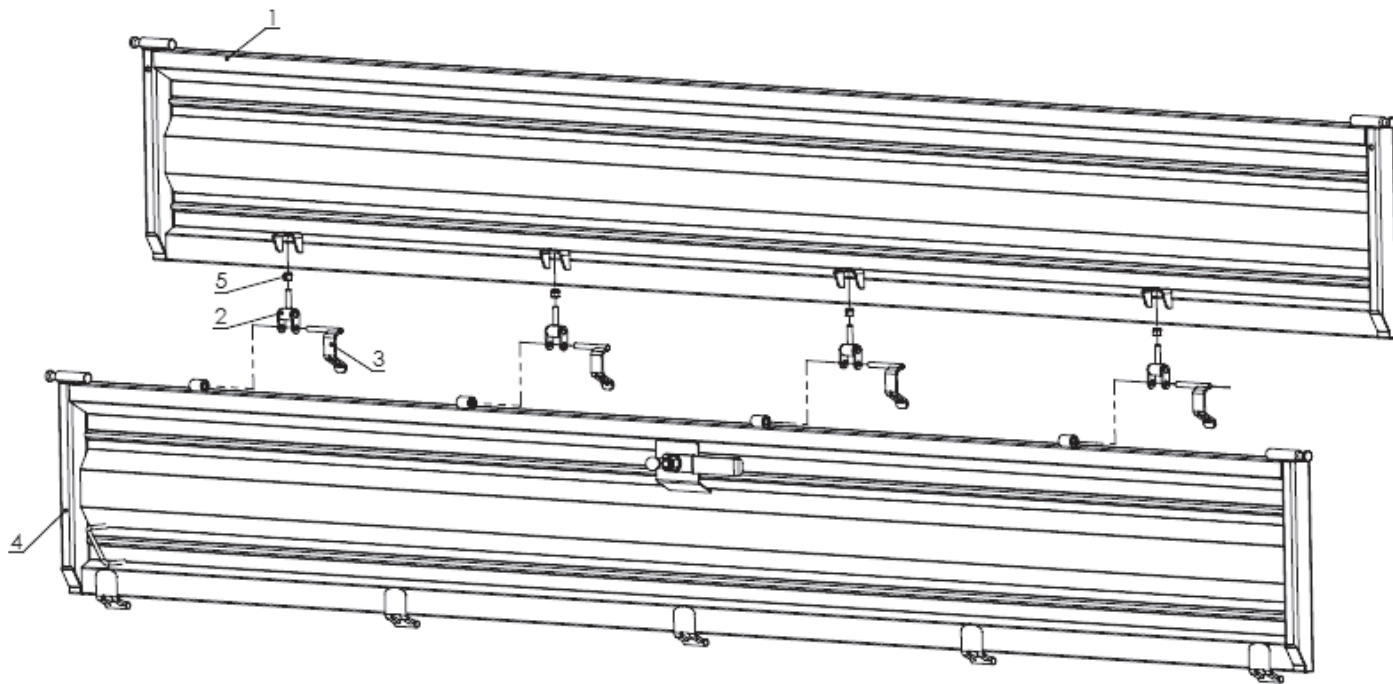


LEFT WALL			
No. in dwg	Name of assembly or part	Drawing No. or standard	Quantity
1	Left top section	T711-2 03.10.00**(T711-3 03.10.00)***	1
2	Top section hinge	T710-1 03.14.00	4
3	Lock, set	T710-1 03.16.00	4
4	Left wall	T711-1 03.07.00 (T711-2 03.07.00)*	1
5	Nut, M12	23NS12OC	4

* On models T711-2 and T711-3

** On models T711-1 and T711-2

*** On model T711-3

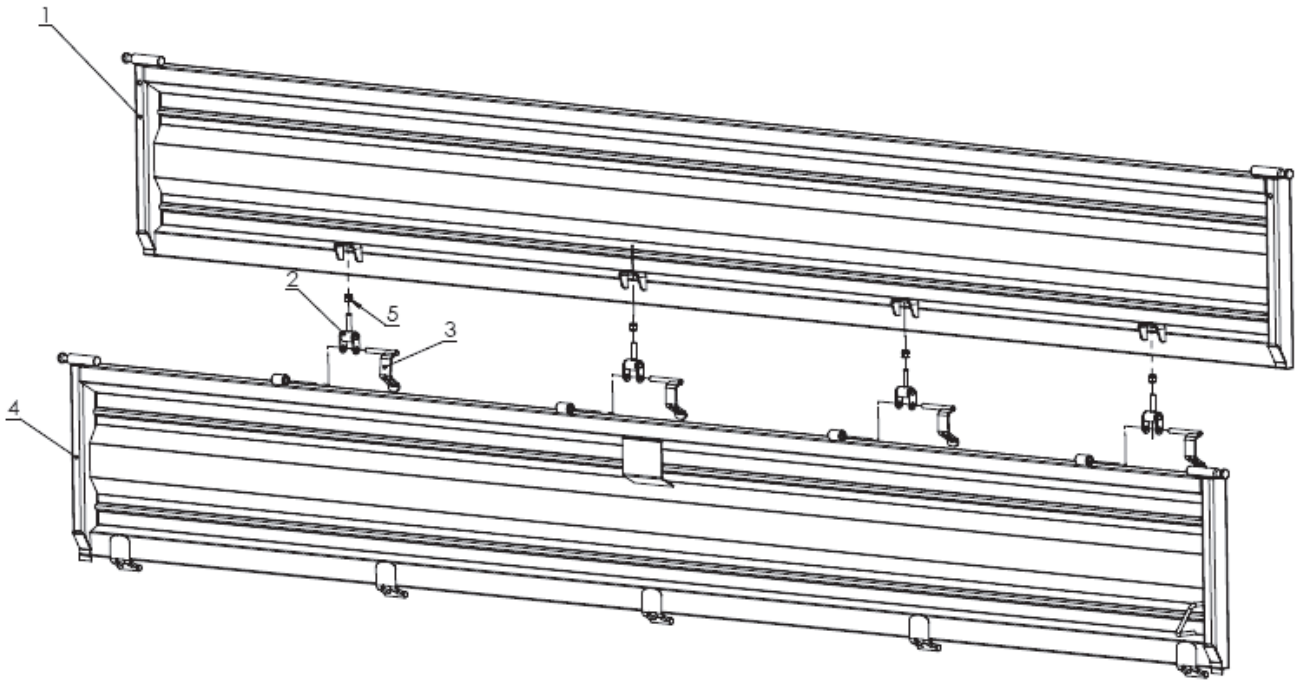


RIGHT WALL			
No. in dwg	Name of assembly or part	Drawing No. or standard	Quantity
1	Right top section	T711-2 03.11.00**(T711-3 03.11.00)**	1
2	Top section hinge	T710-1 03.14.00	4
3	Lock, set	T710-1 03.16.00	4
4	Right wall	T711-1 03.03.00 (T711-2 03.03.00)*	1
5	Nut, M12	23NS12OC	4

* On models T711-2 and T711-3

** On models T711-1 and T711-2

*** On model T711-3

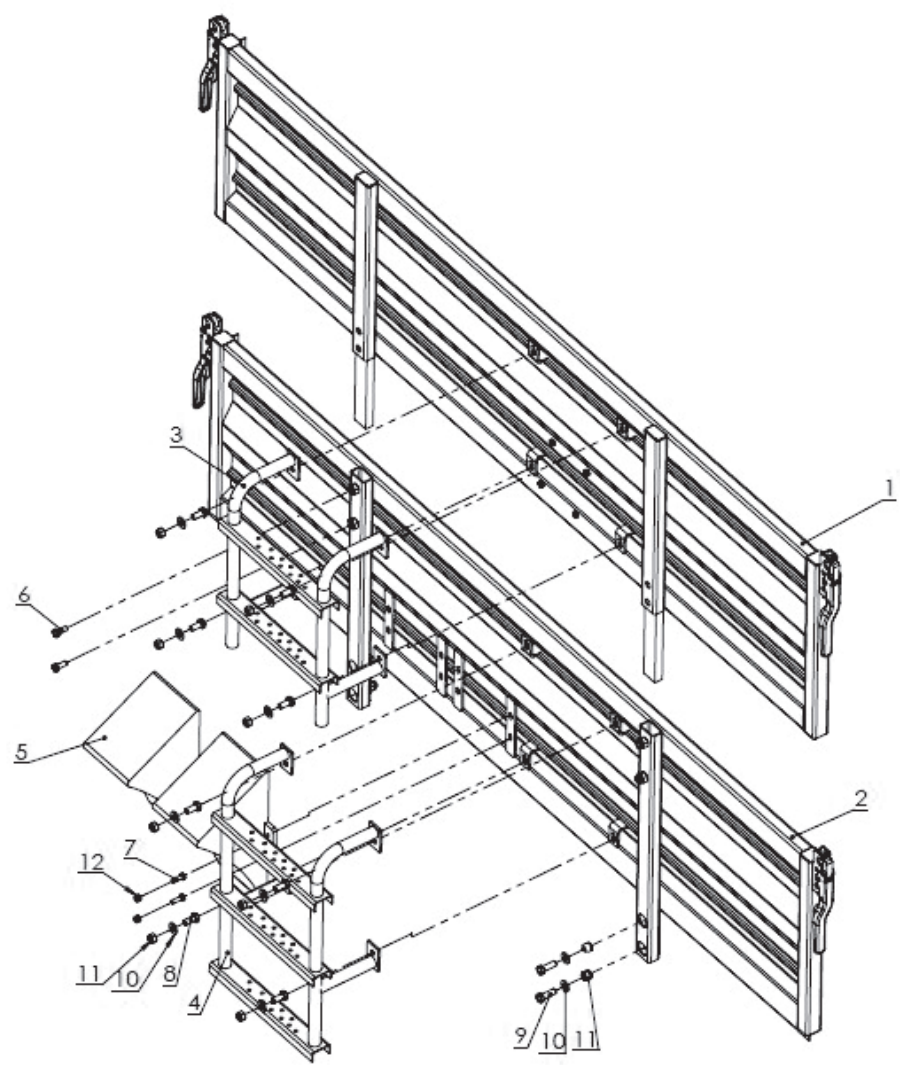


FRONT WALL			
No. in dwg	Name of assembly or part	Drawing No. or standard	Quantity
1	Front top section	T711-2 03.08.00**(T711-3 03.08.00)***	1
2	Front wall	T711-1 03.02.00 (T711-2 03.02.00)*	1
3	Upper ladder, complete	T710-1 06.00.00	1
4	Lower ladder, complete	T710-1 04.00.00.1	1
5	Wheel chock	POD-OGL-000027-1	2
6	Bolt, M10x25 8-8-B	23S10/25OC 8.8	4
7	Bolt, M8x25 8-8-B	23S8/25OC 8.8	8
8	Bolt, M12x25 8-8-B	23S12/25OC	8
9	Bolt, M12x35 8-8-B	23S10/35OC 8.8	4
10	Plain washer, 12	23P12OC	12
11	Nut, M12	23NS12OC	12
12	Nut, M8	23NS8OC	8

* On models T711-2 and T711-3

** On models T711-1 and T711-2

*** On model T711-3

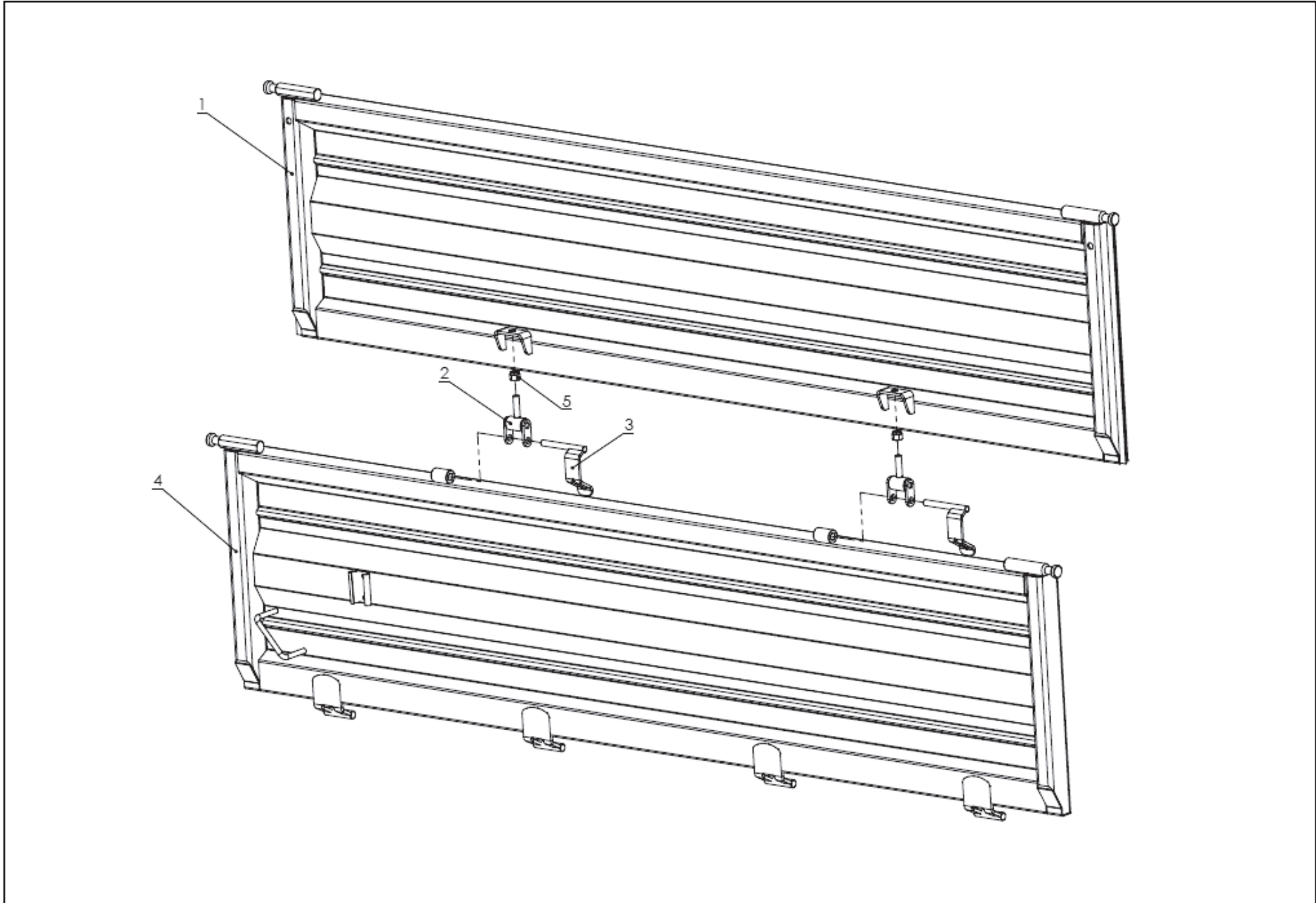


REAR WALL			
No. in dwg	Name of assembly or part	Drawing No. or standard	Quantity
1	Rear top section	T711-2 03.09.00**(T711-3 03.09.00)**	1
2	Top section hinge	T710-1 03.14.00	2
3	Lock, set	T710-1 03.16.00	2
4	Rear wall	T711-1 03.06.00 (T711-2 03.06.00)*	1
5	Nut, M12	23NS12OC	2

* On models T711-2 and T711-3

** On models T711-1 and T711-2

*** On model T711-3

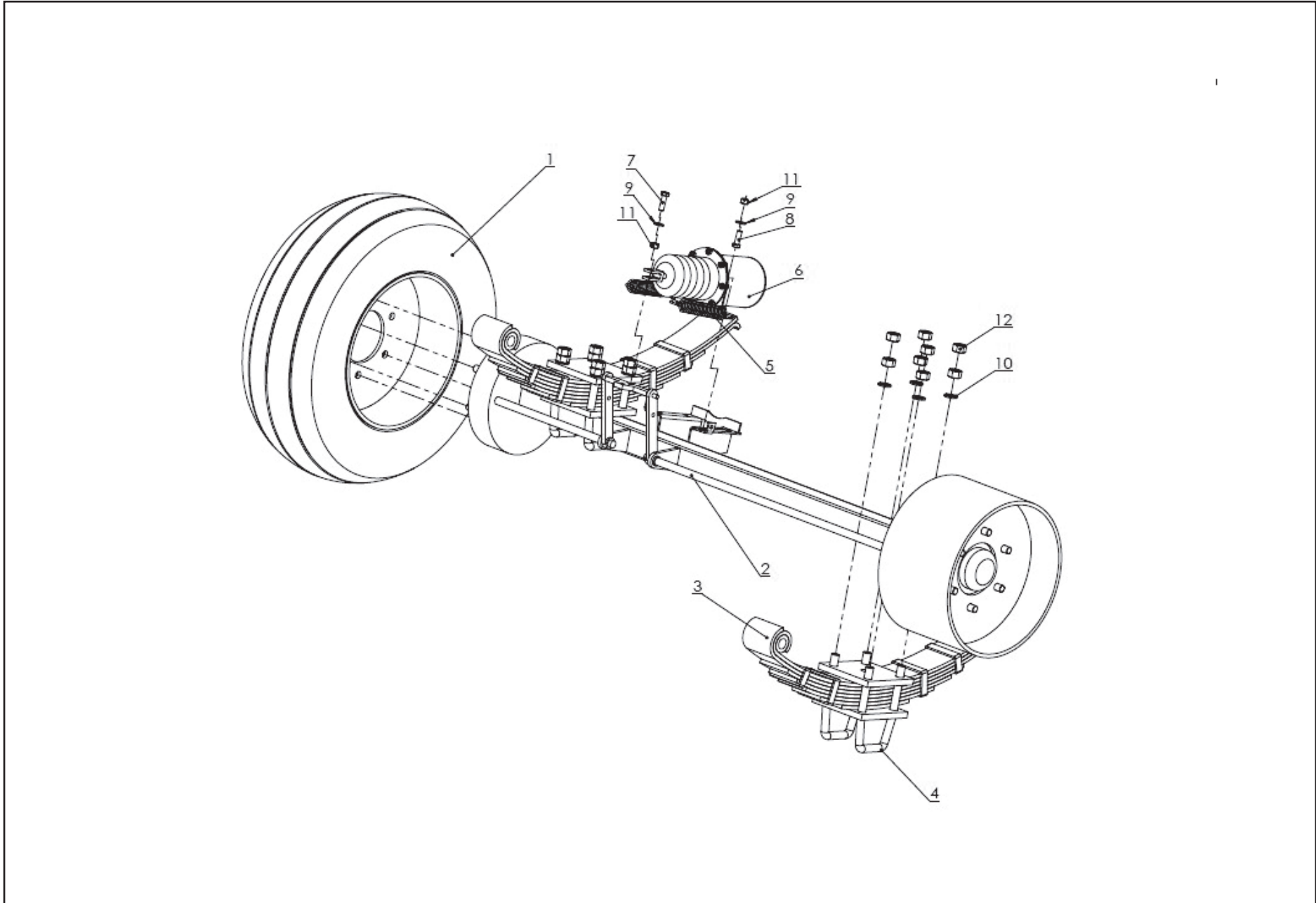


BRAKE EQUIPPED AXLE			
No. in dwg	Name of assembly or part	Drawing No. or standard	Quantity
1	Wheel with rim	385/65 R22.5 Bendenmark POD-KOJ-000036	2
2	Brake equipped axle	POD-KOS-000037	1
3	Parabolic suspension spring	POD-UGL-000300	2
4	Bail bolt	T711-1 00.00.03	4
5	Brake spring	23SPN3/23/135 MAZ1771/1	2
6	Air actuator	24SP53,32,00	2
7	Bolt, M12x40 8-8-B	23S12/40OC	1
8	Bolt, M12x35 8-8-B	23S12/35OC 8.8	2
9	Plain washer, 12	23P12OC	3
10	Spring washer, 20	23P20SP	8
11	Nut, M12	23NS12OC	6
12	Nut, M20	23NS20OC 82175	8

* On models T711-2 and T711-3

** On models T711-1 and T711-2

*** On model T711-3



HYDRAULIC SYSTEM			
No. in dwg	Name of assembly or part	Drawing No. or standard	Quantity
1	Valve cap (plug)	24ZWE13	2
2	EURO 13 valve-plug, M22x1.5	24ZWNE13	1
3	Three-way ball valve	POD-HZW-000041 RS3L15L M22x1.5	1
4	Cylinder actuator	CT-S226-18-75/4/1700+ZCT+Łk POD-HSL-000063	1
5	Stop check valve	POD-HZW-000018-1	1
6	EURO 13 valve-socket, M22x1.5	POD-HZW-000040	1
7	Hydraulic line I	P11P15/233/13 L-3300	1
8	Hydraulic line II	P21P15/233/13 L-1190	1
9	Hydraulic line III	P21P15/233/13 L-1190	1
10	Hydraulic line IV	Pipe, 15x1.5 L-1900	1
11	Hydraulic line V	Pipe, 15x1.5 L-3200	1
12	Hydraulic line VI	P12P12/233/13 L-890 K180°	1
13	Hydraulic line VII	P12P21/233/13 L-400	1
14	Hydraulic line VIII	P11P21/233/13 L-460	1

